



#### Special Features

- Specially designed for low pressure measurement.
- Wide ranges starting from 6 mmWC to 4 PSI.
- Enhanced life as no wear and tear due to frictionless mechanism.
- Light in weight and compact in size.
- Non standard ranges available on request.

#### Applications

- Pressure measurement across Filter, Clean room, Respirators, HVAC, Laminar air flow units, Nitrogen plant, Fan & Blower pressure, Air velocity, Furnace draft & Other fluid systems, Fluid dust collectors and Paint booths.

#### Indicating Mechanism

- When the high & low pressure ports are connected to pressure lines, difference in pressure causes the spring and the magnet to move by distance equivalent to the pressure differential. The movement of magnet forces the helix to turn in order to maintain the gap, which in turn indicates the pressure value on the calibrated dial.

#### Standard Specifications

**Nominal Size : 4" (100 mm)**

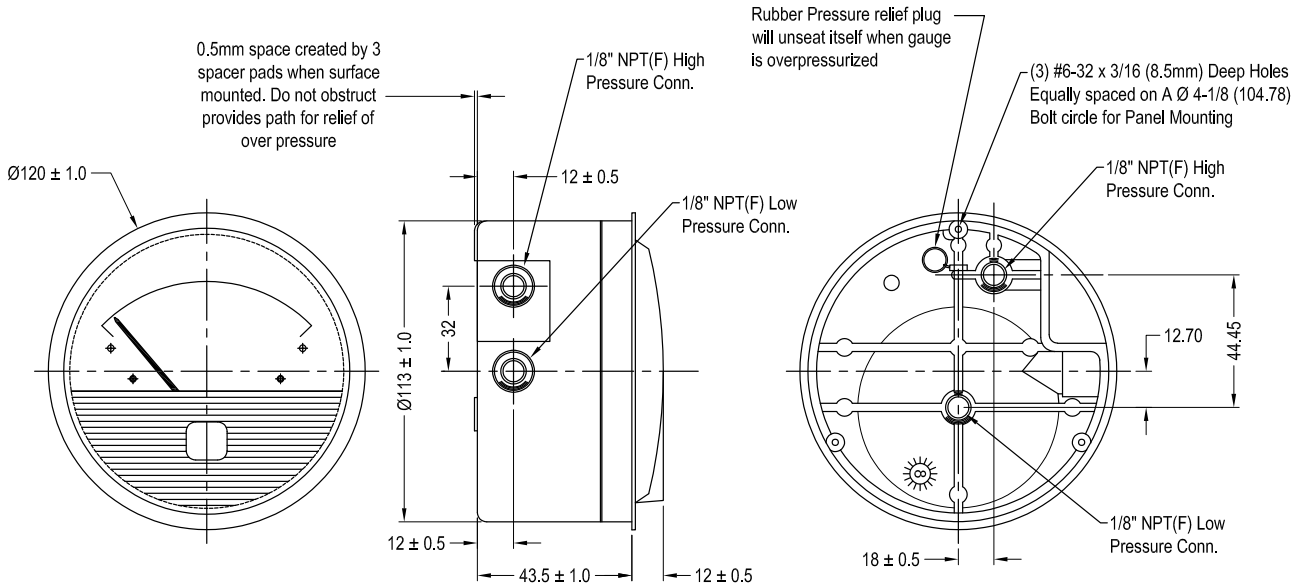
Service	: Air and Non-corrosive gases
Ranges	: Please refer table
Accuracy	: $\pm 2.0\%$ of full scale and $\pm 4.0\%$ for ranges 10 mmWC and below
Temperature Limit	: -7 to 60°C
Pressure Limit	: -0.67 to 1 bar
Over Pressure	: Suitable up to 25 psig
Process Connections	: 1/8" NPT (F) high and low pressure taps, one pair side and one pair back
Case & Bezel Material	: Die Cast Aluminum
Window	: Acrylic
Zero Adjustment	: External adjusting by means of screw
Weight	: 510 gms (Approx.)
Mounting Position	: Vertical
Standard Accessories	: Two 1/8" NPT Plugs for duplicate pressure taps, Two 1/8" Pipe thread to rubber tubing adaptor and three flush mounting adaptors with screws

#### Range Table

**Note :** We offer National / International scales like kPa, Pa, mmWC, cmWC, inWC or equivalent scales as per the requirement can be provided on request. Following are the example table for mmWC, Pa, cmWC, inWC, kPa.

mmWC	Pa	cmWC	inchWC	kPa
0-6 mmWC*	0-60 Pa*	0-25 cmWC	0-1"WC	0-1 kPa
0-10 mmWC*	0-100 Pa*	0-50 cmWC	0-2"WC	0-2 kPa
0-25 mmWC	0-250 Pa	0-80 cmWC	0-3"WC	0-3 kPa
0-50 mmWC	0-500 Pa	0-100 cmWC	0-4"WC	0-4 kPa
0-100 mmWC	0-1000 Pa	0-200 cmWC	0-5"WC	0-5 kPa
0-250 mmWC	-30 to +30 Pa*	0-250 cmWC	0-8"WC	
-3 to +3 mmWC*	-50 to +50 Pa*		0-10"WC	
-5 to +5 mmWC*	-125 to +125 Pa		0-20"WC	
	-250 to +250 Pa			
	-500 to +500 Pa			

\* - Accuracy +/- 4% of Full Scale

**Dimensions - standard version**

**How To Order**
**Example**
**Basic Model**
**Code**
**Range**

Refer range table

**Options**
**PW** Five point calibration certificate

**PU** Calibration certificate traceable to National / International standards

**SX** SS tag plate

**Ordering Example: BMG . 0/60 Pa. XX**
**For other optional items and ranges, please contact factory for delivery and minimum quantity of order.**

Note : Specifications and dimensions given in this product catalogue represents the state of engineering at the time of printing . Modifications may take place and materials specified may be replaced by others without prior notice.

BMG

0-60 Pa

XX

**Head Office**

 Baumer Technologies India Pvt. Ltd.  
 Kanakia Wall Street, 'B Wing', 401 & 402,  
 Andheri Kurla Road, Chakala, Andheri (East),  
 Mumbai - 400093  
 Phone: +91-22-4887-4000  
 Email: [info.in@baumer.com](mailto:info.in@baumer.com)
**Production Facility**

 Baumer Technologies India Pvt. Ltd.  
 Plot No. 34, G.I.D.C., Phase-1  
 Vapi - 396195  
 Phone: +91-260-2410123